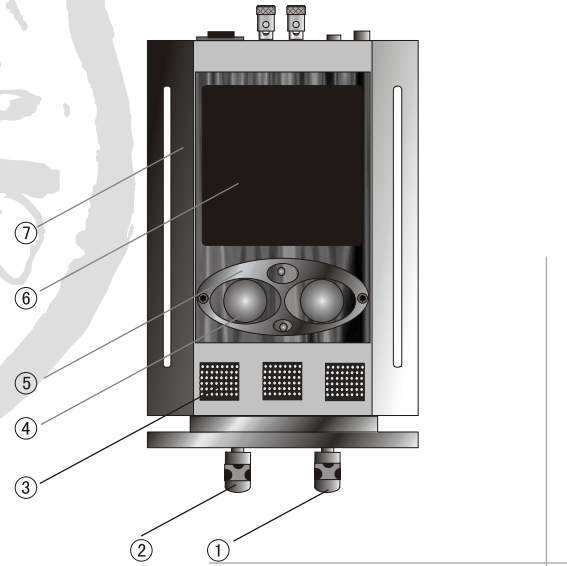
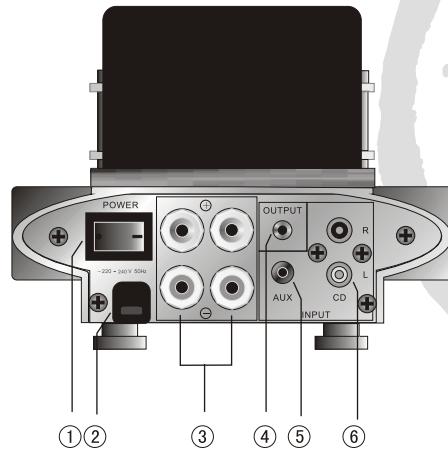


### A-3 Amplifier

- ① Volume
- ② Input Select
- ③ Heat Dissipation
- ④ Tube
- ⑤ Tube Protection Casing
- ⑥ Toroidal Transformer
- ⑦ Aluminum Heat-sinking Chassis




### A-3 Amplifier

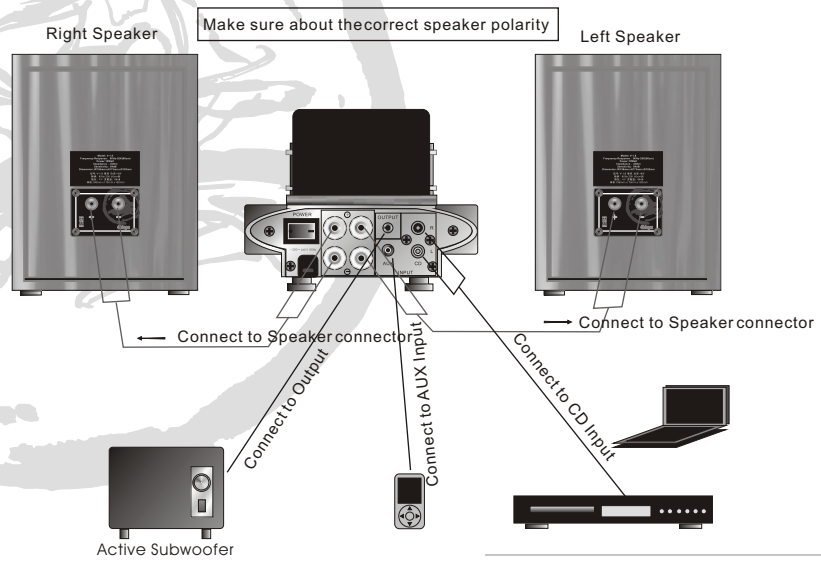


- ① Power On/Off
- ② AC Power In
- ③ Speaker Connector
- ④ Music Signal Output
- ⑤ AUX Input
- ⑥ CD Input

0  
-  
D  
J  
J  
P  
Z  
Q



# Connection



## Specifications

Output Power: 2 x 8.5 W ( 8 $\Omega$  RMS )  
Frequency Response: 20Hz-40kHz( $\pm$ 1dB)  
THD:  $\leq$ 1.5% (1kHz)  
S/N Ratio:  $\geq$ 71dB(Board Band)  
Crosstalk Attenuation:  $\geq$ 45dB(1kHz)  
Input Sensitivity:  $\leq$ 420mV  
Overload Level:  $\geq$ 10V  
Input Impedance: 15k $\Omega$   
Power Supply: ~220V-240V 50Hz 50W  
Net Weight: 2.3kg/pcs  
Dimension: 260mm $\times$ 140mm $\times$ 110mm

## Package content

Instruction Manual.....	1pc
Amplifier .....	1pc
Cable.....	1pc



0  
-  
D  
J  
<  
J  
J  
P  
Z  
I  
Q