



a-one & consouance

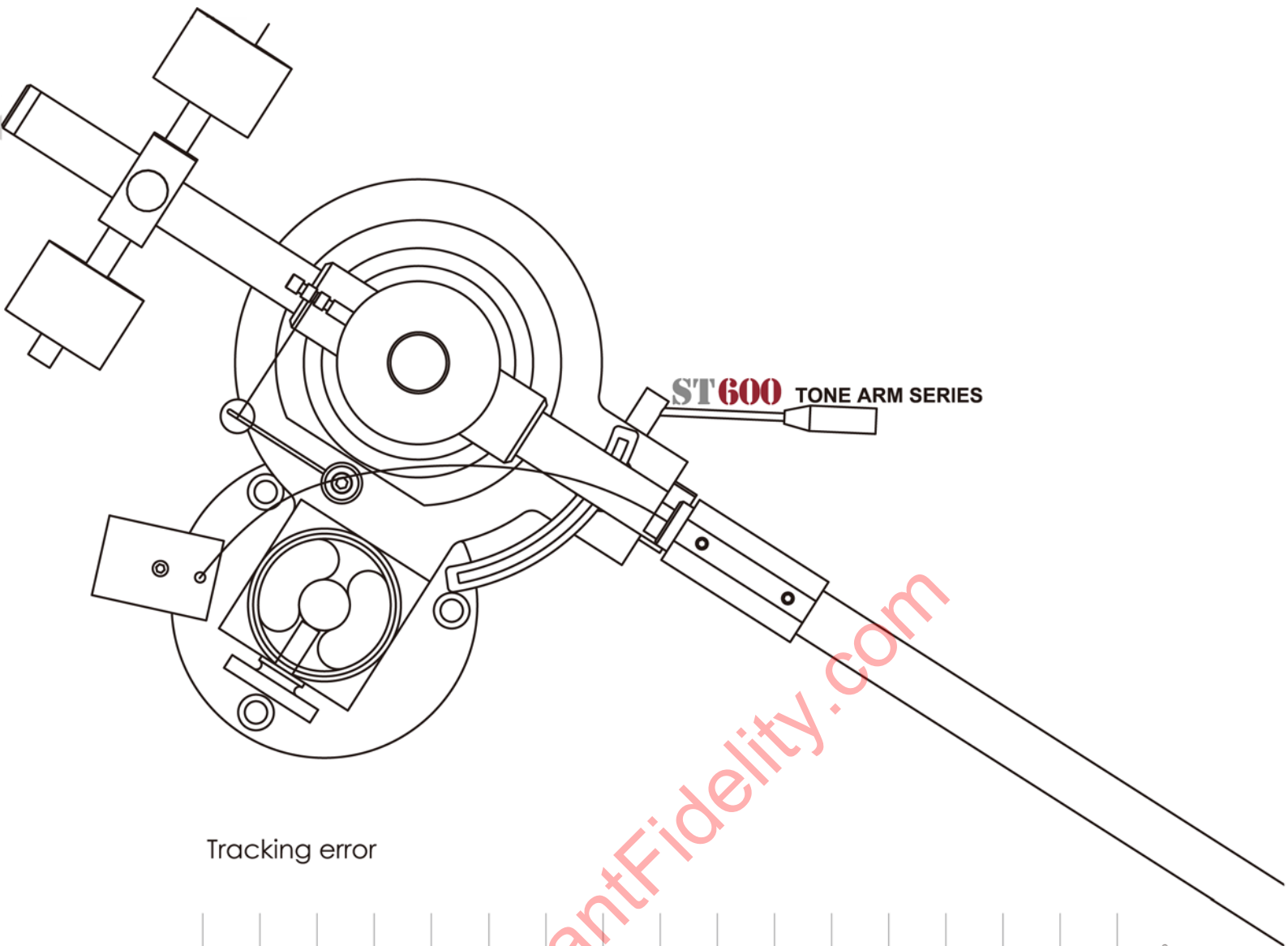


STONE ISLAND

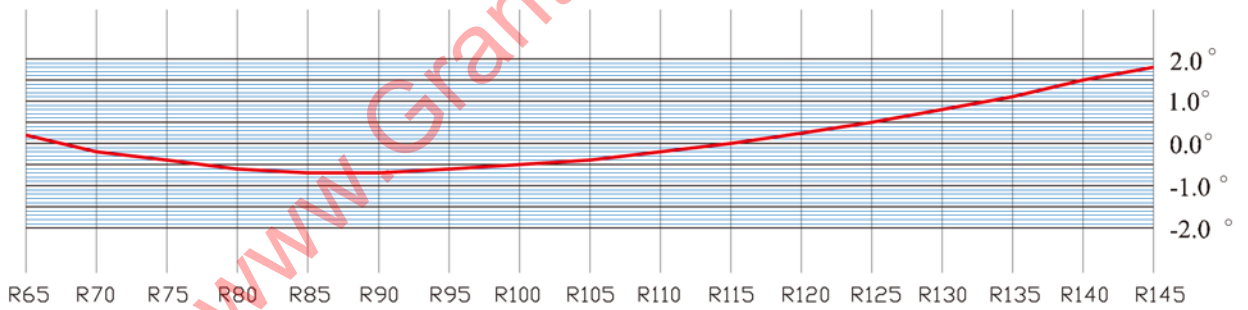
ST600

Technical Data

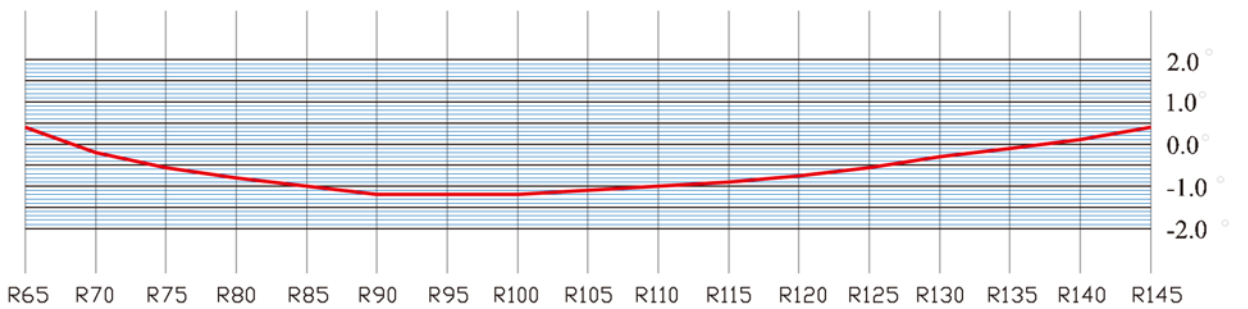
Pivot system	Oil damping unipivot dynamic balance system
Effective length (pivot to stylus)	267mm/300 mm (10.5"/12")
Overhang	15/16mm
Offset	20 degree
Recommend cartridge weight	4-16g
Total weight (without counter weight)	1130g
Main counter weight	50gx2
Incidental counter weight	50g (counter weight balance carrier)
Anti-skating weight	2g
Arm base and headshell	Stainless steel
Arm tube	Carbon fiber



Tracking error



ST600 10.5" (267MM)



ST600 12" (300MM)