



VACUUM TUBE INTEGRATED AMPLIFIER

W-30GT

USER MANUAL

Dear customer:
Thank you for using Grant Fidelity's products. Please read this handbook carefully before you use the product. Keep the manual for future reference.

INDEX

- Introduction.....(1)
- Warnings.....(1)
- Connections with Audio Players and Speakers.....(2)
- Speaker Cable Connections(3)
- Remote Control.....(3)
- Switches on the Front Panel.....(4)
- Open the Cage(5)
- Vacuum Tube Installations.....(6)
- Method for Bias Adjustment.....(7)
- Specifications.....(8)
- Accessories.....(8)

Introduction

The W-30GT is an integrated vacuum tube hi-fi amplifier. It is equipped with a classic tube amp circuit and three custom designed EI type transformers: one for steady power supply and two for wider-frequency outputs to the left and right channels separately. High-quality parts, such as the coupled capacitors, are used in the circuit.

- ◆ Two high-quality custom designed EI type wide-frequency output transformers.
- ◆ Custom designed EI type power transformer.
- ◆ Four 6N1 for pre amp.
- ◆ Four KT-88 for power amp (class AB1 push pull).
- ◆ This unit can be used as standalone power amp or preamp.
- ◆ This unit has a built-in tube phono stage(12AX7).
- ◆ This unit has built-in 24bit/192kHz DAC.

Warnings

Warnings:

- ◆ To reduce risk of electric shock, do not remove the cage cover when the amp is operating. No part inside the unit is user-serviceable. Please seek service from authorised and qualified service agents.
Do not expose the equipment to water. It may result in electric shock.

Location:

- ◆ Locate the equipment in a ventilating, dry and clean place, and away from the direct sun-shine and heat sources.
- ◆ Do not place the equipment in a strongly vibrating, dusty, damp and low-temperature environment.
- ◆ Do not place the equipment close to other equipment that can produce strong electronic interference, such as transformers and motors.

Cleaning:

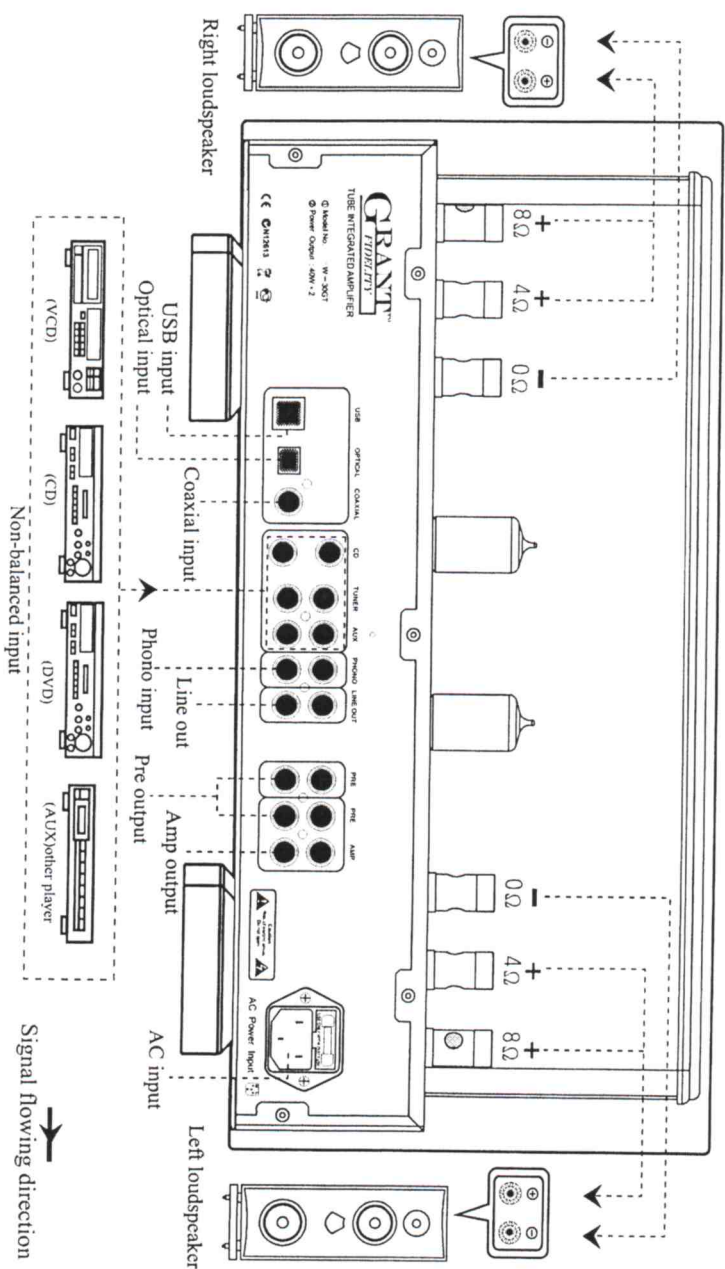
- ◆ Use soft and dry cloth to clean the chassis.
- ◆ To prevent damage to the finish, do not use any chemical solvent to clean the surface of the equipment.

Connections with Audio Players and Speakers

- (1): Using a pair of signal cables to connect your player's left and right outputs to the left and right inputs of this amp accordingly.
 - (2): Using a pair of speaker cables to connect your left and right speakers to the amp's left and right speaker outputs accordingly.
- Please Note:** The 4 Ω speakers should only be connected to the 4 Ω speaker outputs of this amp, while the 8 Ω speakers to the 8 Ω speaker outputs of this amp.

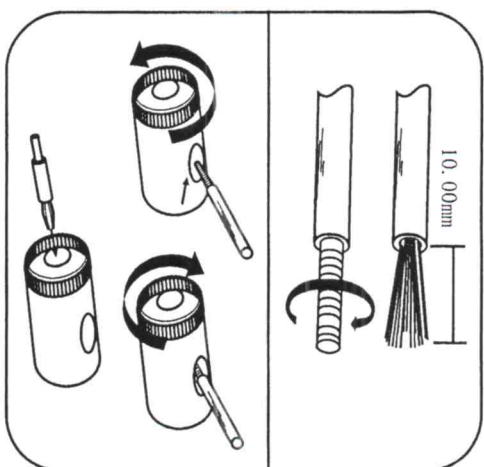
Notes for using the tube amplifier:

- 1: Must connect speakers to the tube amp first, before turn on the AC power switch. Never sending music signals to a powered tube amp without speaker connections. Do not short the speaker terminals. It will cause serious damage to your amp.
 - 2: Do not operate the amp when the AC power voltage is deviated significantly from the prescribed voltage of the amp. The amp should only operate when the AC power is within 5% variation from the prescribed voltage. If your household AC power has a fluctuating voltage and exceeds the limit frequently. We strongly recommend you to use an AC power filter or conditioner with the amp.
 - 3: Tube amp works on a relatively high temperature; and should be located on a well-ventilated place to allow heat to be dissipated quickly.
 - 4: Avoid liquid spill onto the vacuum tubes, especially when the amp is operating.
- A tube amp should work reliably, if keeping the above points in your mind.



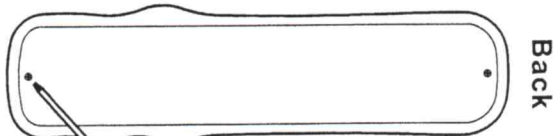
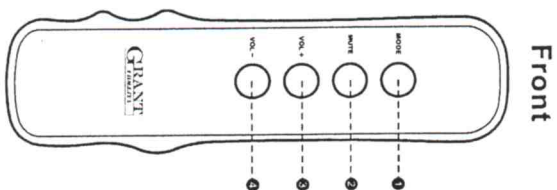
Speaker Cable Connections

- (1) Make sure your music player connected to this amplifier is in good condition. Use high quality signal cables with a length as short as possible to connect the player to the amplifier. Please note: the plug with red color is positive (+), while the white is negative (-).
- (2) Cut insulation layer off from the end of the cable for 10 mm, Twitch and tighten the metal wire if it is not twisted tight (see picture on the top-right).
- (3) To connect the cable to the input plugs of the amplifier, turn the knob anti-clock-wise; after insert the cable to the hole, turn the knob clock-wise to tighten the plugs. If using a cable with banana plugs, just insert the banana plugs into the front hole of the output plugs of the amplifier (see picture on the bottom-right). Make sure connect the positive (+) and negative (-) ends correctly.



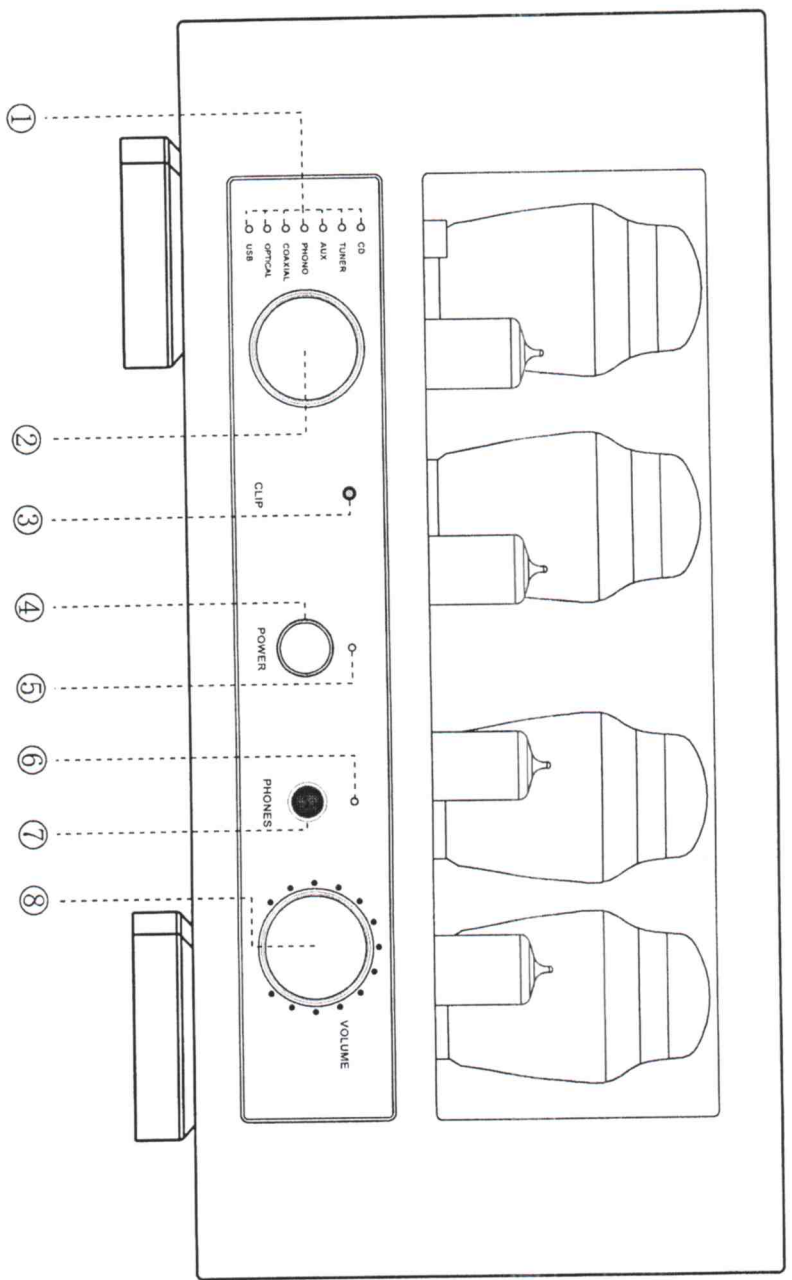
Remote Control

- ①、MODE: Select input models.
- ②、MUTE: Press to mute or restart the sound.
- ③、VOL + : Turn the volume up.
- ④、VOL - : Turn the volume down.



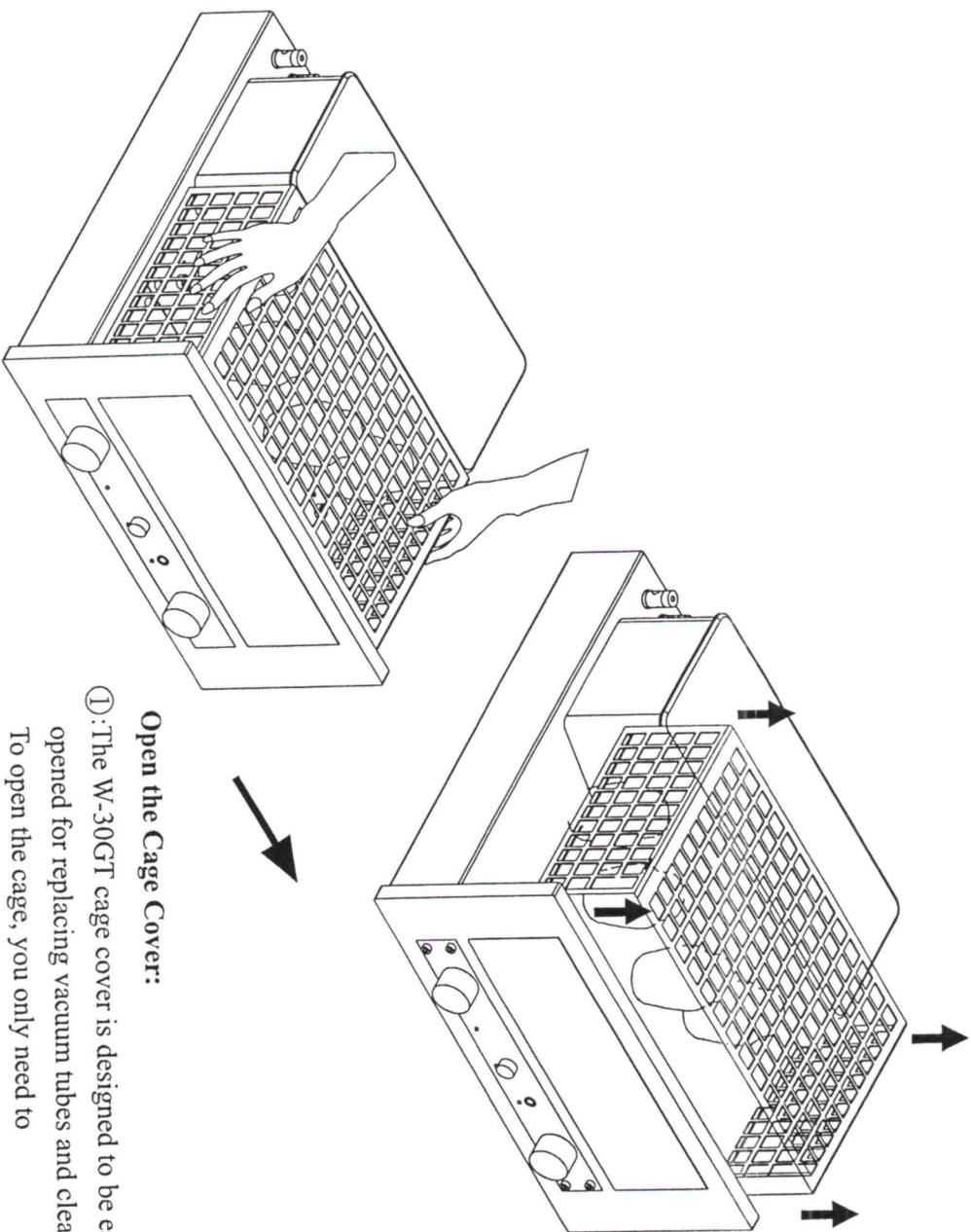
How to Replace Batteries
Please use a screwdriver to open the bottom of the remote control then you can replace batteries.

Switches on the Front Panel



- ①: Inputs indicator lights
- ②: Input Selection
- ③: Clip indicator
- ④: Power on/off
- ⑤: Power relay indicator
- ⑥: Headphone output indicator
- ⑦: Headphone jack
- ⑧: Volume control

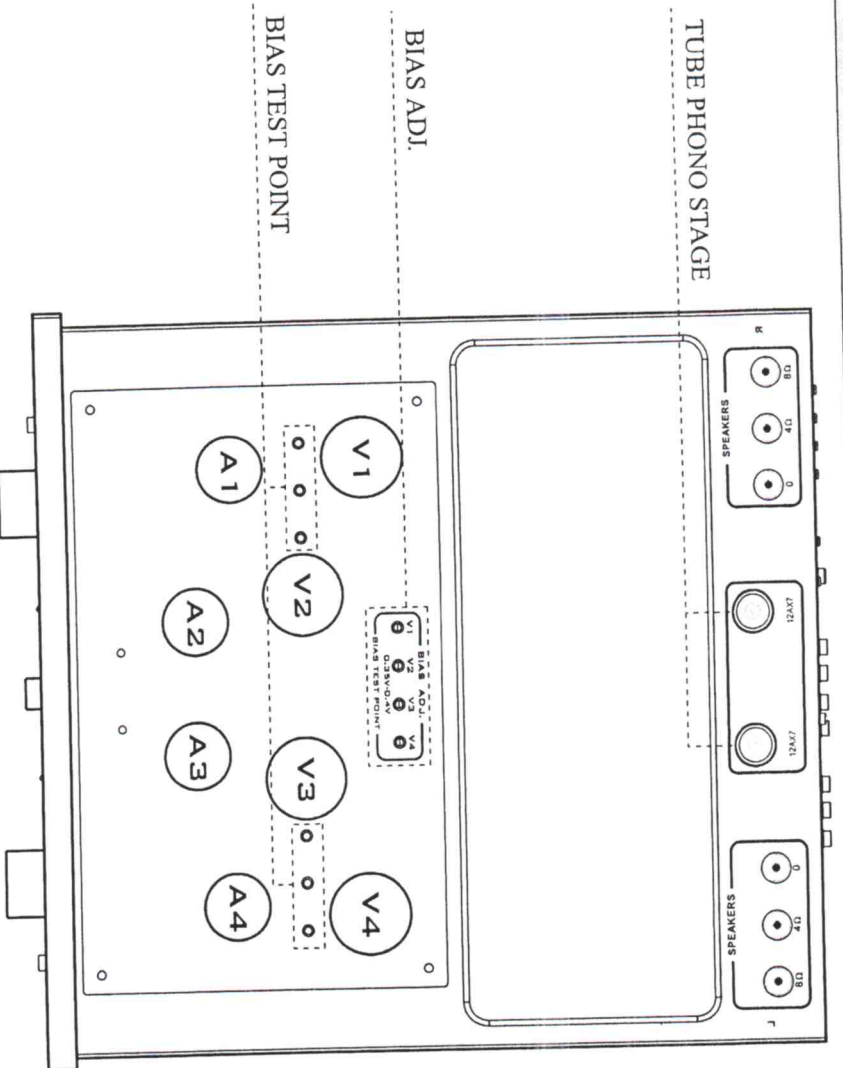
Open the Cage



Open the Cage Cover:

- ①: The W-30GT cage cover is designed to be easy opened for replacing vacuum tubes and cleaning. To open the cage, you only need to press both side of the cover, and then lift it.

Vacuum Tube Installations



Installations:

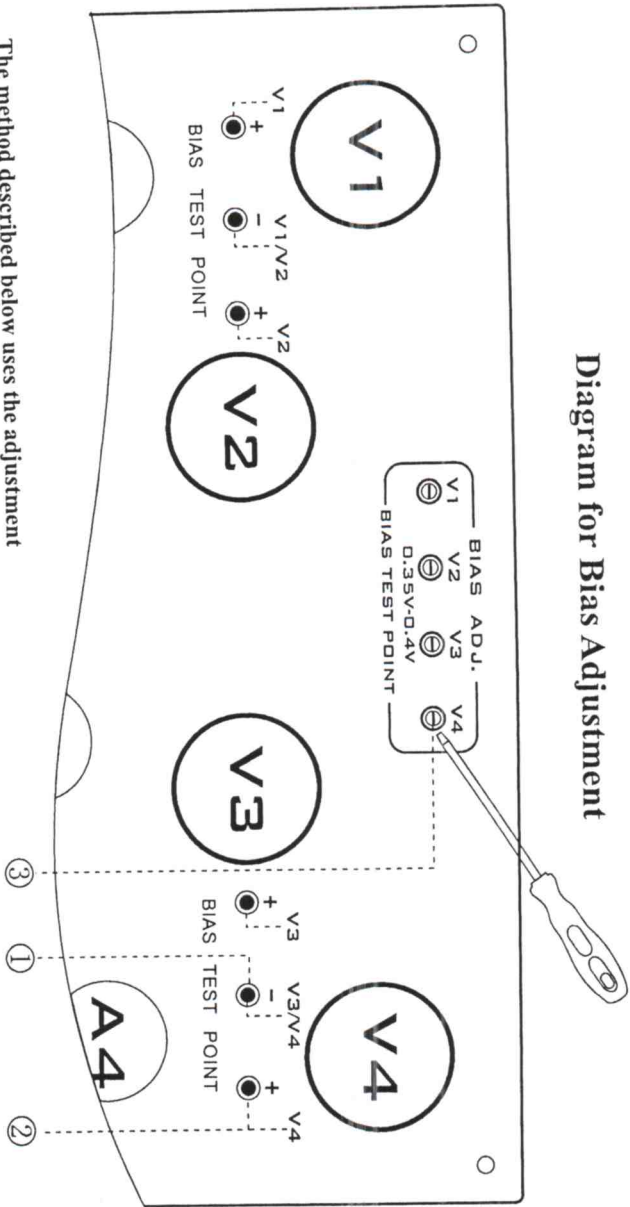
- (1)、According to the diagram on this page to install the vacuum tubes. Install four KT-88 to the V1~V4; four 6N1 to the A1~A4 sockets respectively.
- (2)、Install 12AX7 tubes to phono stage.

Cautions:

- * Avoid any liquid spill onto the vacuum tubes.
- * When replacing the tube, make sure the pins are in the correct order.
- * The vacuum tubes come with this amp are matched by the manufacturer. Thus, the tubes should be installed according the instruction. For example, the tube labelled with "V1" should be inserted to the "V1" socket.

Method for Bias Adjustment

Diagram for Bias Adjustment



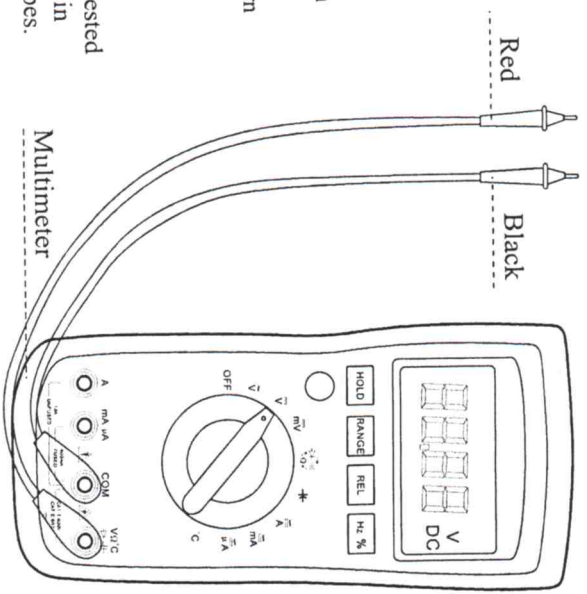
The method described below uses the adjustment of a tube on the socket V4 as an example.

Methods for adjustments on other vacuum tubes are the same.

(1): Set the digital multi-meter to the measurement of DC voltages at "V^{DC}". The red pen contacts to the positive (+, ②) and the black pen contacts to the negative (-, ①).

(2): The normal working voltage of this amp ranges between 0.35V - 0.4V. Using a screwdriver to adjust the V4 tube working voltage to the above suggested range. Turn the screwdriver clockwise to increase the voltage, and anticlockwise to decrease the voltage.

Cautions:
Please adjust the tube bias point within the above suggested working voltage. Any incorrect adjustment will result in shortening the life-span of the amp and the vacuum tubes.

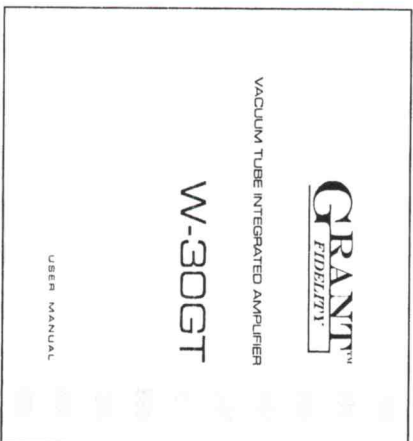


Specifications

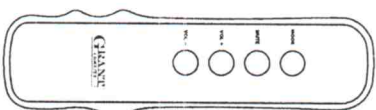
- Power output: $2 \times 40\text{ W}$ (RMS, Ultra-linear)
- Output impedance: $4\ \Omega$ 、 $8\ \Omega$
- Intermod: $20\text{ Hz} \sim 30\text{ kHz} \pm 0.5\text{ dB}$
- THD: $\leq 1\%$ (1kHz)
- S/N: $\geq 90\text{ dB}$
- Input susceptibility: 100 mV
- Tube: KT88 $\times 4$ pcs, 6N1 $\times 4$ pcs, 12AX7 $\times 2$ pcs
- Size: $428\text{ mm} \times 400\text{ mm} \times 200\text{ mm}$ (L x W x H)
- Input Sensitivity: 260 mV (combined input)
- Input impedance: $100\text{ k}\Omega$
- Weight: 26 kg

Accessories

Dear customer, please check if there are the following accessories after opening the package.



User Manual (one)



Remote control (one)



One advanced power supply wire (one)